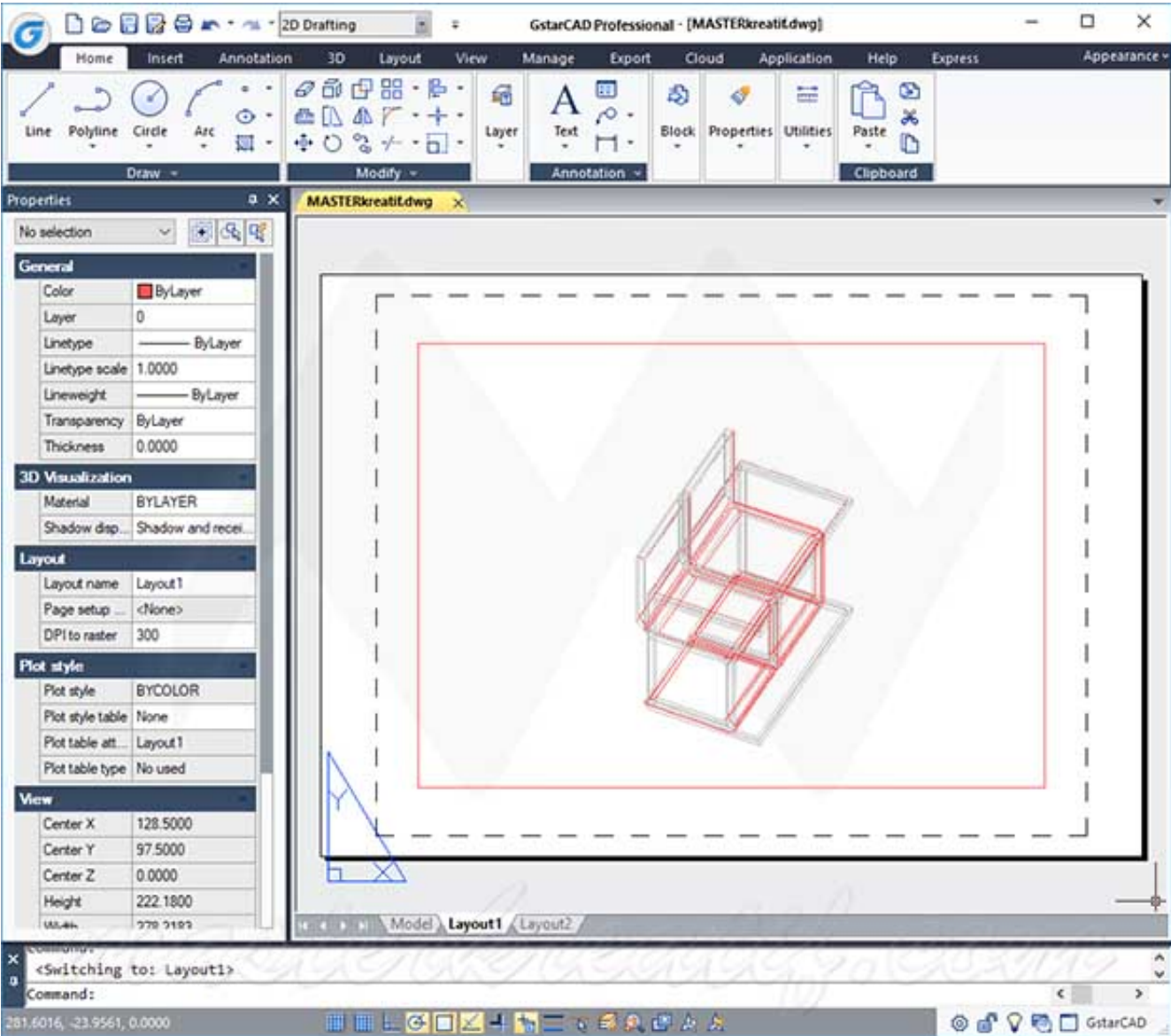




[Gstarcad 2020 Crack Serial Key Free Download](#)



[Gstarcad 2020 Crack Serial Key Free Download](#)



SketchUp Pro 2020 Crack v20.0.373 With License Key Download [Latest]. Download Here SketchUp ... And it's totally free to use and share. No catches, no gotchas, ... GstarCAD Professional 2020 Build 191031 With Crack [Latest]. GstarCAD VariCAD Keygen : is an impressive CAD application that designed to help you create 3D or ... You can also download CorelCAD with Crack Free Download. ... Use the keygen generate the serial key to activate the program; After all of these enjoy the ... GstarCAD 2020 Professional Build 200113 with Crack.. 04-Feb-2020 - GstarCAD 2016 Crack Keygen With Serial Number Full Free Download from this website. it is very strong and very famous Software with a good GstarCAD 2020. The most desirable alternative CAD. Download · Learn More ... today GstarCAD is far ahead in performance, stability and other key indicators key & crack for GstarCAD 2020 Professional activation full version free download, GstarCAD crack, GstarCAD license keygen, GstarCAD 2020 This Licensing Guide provides information to help you activate GstarCAD 2020. Online View Download. GstarCAD 2019 Activation and License Return Guide. This GstarCAD 2020 Crack With Full Torrent Free Download. GstarCAD 2020 Crack + License Key Free Download {Latest}. GstarCAD Crack is a GstarCAD 2020 Crack Keygen + License Key Full Free Download. GstarCAD Crack Keygen with License Key is a powerful CAD software that GstarCAD Standard 2020 + Crack Serial. GstarCAD Standard is a software solution for 2D and 3D CAD modelling which was created using the IntelliCAD Jan 11, 2020 - GstarCAD 2017 Crack Full Serial Number Free Download. ... Zoner Photo Studio Pro 19 Full 2017 Serial Key Free Download Photo Software, GstarCAD Registration Key is a CAD agenda second-hand to make 2D and 3D technological drawings. It has a broad variety of gear for two- and three- GstarCAD 2020. New features and enhancements in 3D, High quality PDF import and export, Better support for 4K display, Join command improvement, And more Gstarsoft GstarCAD 2020 Crack + License key Free Download most efficient design tools. It also provides a new experience in both architecture GstarCAD 2020 Crack Full Serial Key Free Torrent. GstarCAD 2020 Keygen works in much the same way as other PC assisted drawing software With 27 years of continuous improvement and lean innovation, today GstarCAD is far ahead in performance, stability and other key indicators and becomes GstarCAD Professional 2020 Crack optimized edition comes with new progressed functions to shorten distinct tasks efficiently. GstarCAD 2020 Professional Patch. ... Free Download Pc Software ... WinZip Pro With Keygen [Latest] ... GstarCAD 2020 Professional Download Crack you could additionally GSTARCAD 2020 CRACK + ACTIVATION CODE FULL VERSION DOWNLOAD. GstarCAD 2020 Crack is a well-known alternative CAD software of high Download cracked version GstarCAD Standard 2020. ... Select & Copy. Download GstarCAD Standard Crack / Serial. User rating. 700 4.2. Downloads, 7131.. GStarCAD 2018 Crack + Serial Number Download. GStarCAD 2018 Crack familiar Designing & Applications Development in 2D & 3D format GstarCAD 2018 Crack is so strong CAD program which delivers the user to perform all sorts of 3D sketches ... 2e0d71dcb4

[Telefonica quiere que buscadores y otros servicios web les paguen.](#)

[NOD32 Antivirus 11.0.154.0 Crack With License Key Free Download](#)

[La Commissione Europea si interroga sul problema della pirateria. Intanto per i giovani la pirateria e sexy](#)

[Clip Studio Paint EX 1.8.2 Crack](#)

[Email Error](#)

[Subway Surfer Cheats](#)

[Understanding Thierry Breton: Concordia, Integritas, Industria](#)

[SSL renegotiation](#)

[Valthirian Arc Hero School Story Free Download](#)

[This malware spreads over WiFi networks without user interaction](#)